

SERIE

# SPIDER 13.80

SELF-PROPELLED AERIAL WORK PLATFORMS

Compact, Light and Easy to use

- Class leading stability when fully deployed.
- Super-compact stabilization foot print and zero tail-swing.
- The most stable drive when off-road.

## EASY MAINTENANCE

- Simple and friendly controls and on-board features.
- Light-weight for ease of transport



# PLAT/TFORM

B A S K E T

# SERIE SPIDER 13.80

## BEST PERFORMANCES

### 1. Automatic and proportional side outreach

- This safety system automatically reduces the outreach by monitoring the stability and the cage overload.
- No jib restrictions with the max load in the basket.
- The system enables easy positioning of the basket in any working situation.



### 2. 360° rotation with no tail-swing.

- The innovative design with telescopic boom and fly jib enables the free rotation without any protruding part.
- Cranked outriggers designed for increased ground clearance.



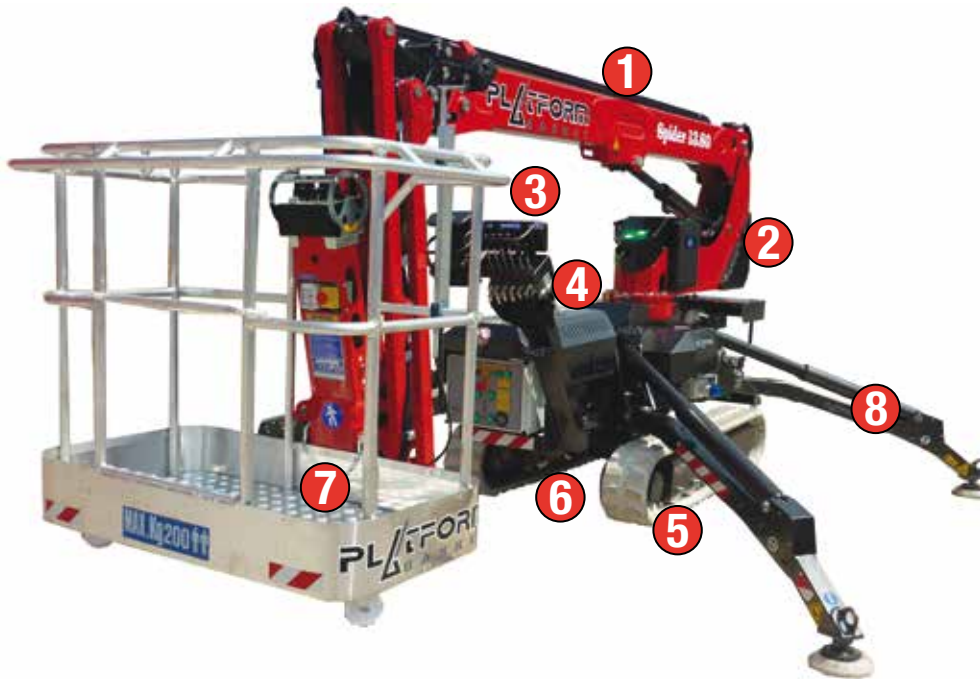
### 3. User friendly

- All designed to make the use simple.
- Wired remote control unit for drive.
- A multifunction manual operated control for stabilization.
- A 4 function remote control unit in the basket to operate the booms.
- All designed to operate the machine smoothly.



### 4. Uncomparable design and fabrication care.

- Process from steel to the product is carefully checked and followed.
- Fully protected by metal covers against falling objects.
- Easy access to maintenance compartments.
- Air/water and 230Vac outlets are available into the basket.



### 5. Standard with double drive speed.

- The model is particularly suitable for indoor use with electric power, therefore the double speed is essential to drive the model to the working site.
- Particularly useful when powered by batteries, enabling long drives with little power consumption.



### 6. Hydraulically extending under carriage

- On demand it is possible to order the machine with extending tracks to improve the drive stability.
- With this undercarriage and longer tracks the stability is guaranteed in any rough terrain.



### 7. Quick detach and interchangeable basket

- The designed allu basket enables a fast and easy removal.
- They're interchangeable basket for single or two persons.
- A single pin to remove and fit the basket plus a sensor to check the right installation is done by the operator.

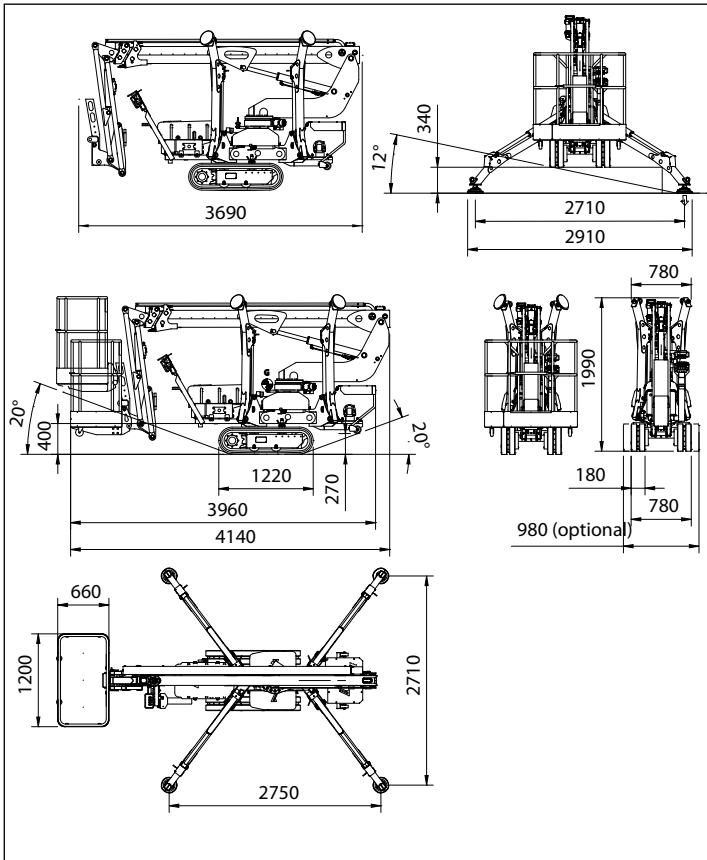


### 8. The smallest tracked-lift offered in HYBRID version.

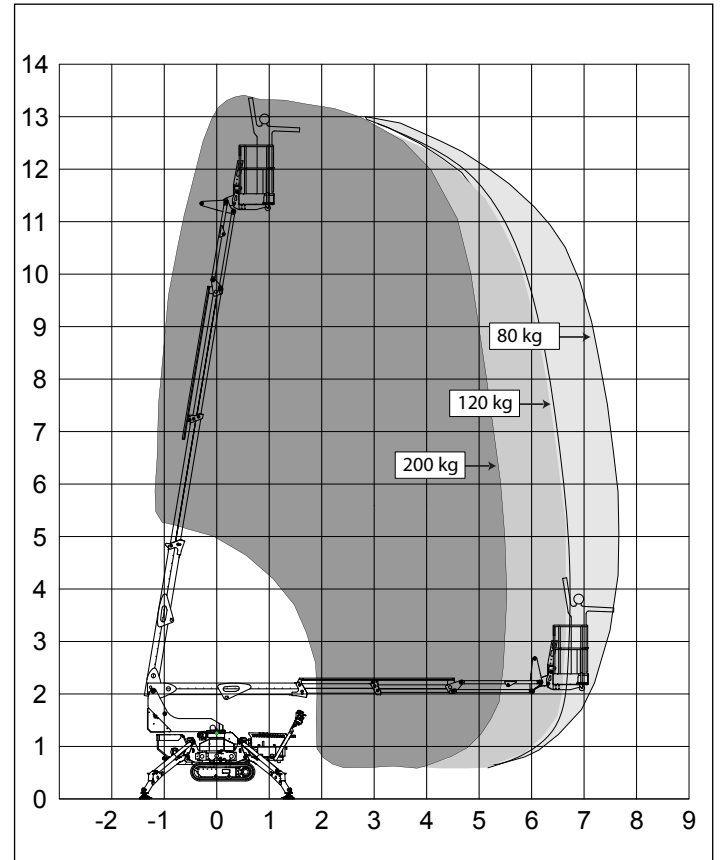
- In order to have a versatile machine different power solutions are available: The standard powered by engine and electric motor 230/110Vac mains. The electric one, powered by deep cycle batteries and electric motor 230/110Vac. The Hybrid one, the smallest spider powered by engine and batteries 24Vdc.



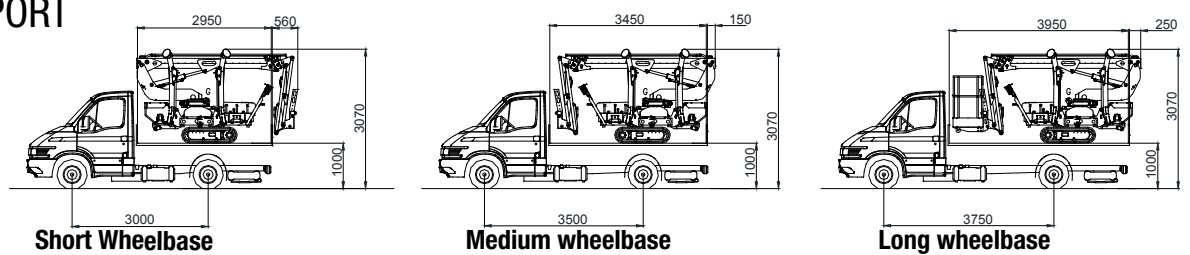
## OVERALL DIMENSIONS



## WORKING ENVELOPE



## EASY TRANSPORT



## OPERATIONS



# SERIE SPIDER 13.80

| TECHNICAL DATA   |                   | VERSION     |           |           |
|--|-------------------|-------------|-----------|-----------|
|  |                   | STD         | E         | ED        |
| Max working height   | m                 | 13,40       |           |           |
| Max height basket floor  | m                 | 11,40       |           |           |
| Max side outreach  | m                 | 7,80        |           |           |
| Rotation angle   | °                 | 360         |           |           |
| Basket size (standard version)                                 | m                 | 1,20 x 0,70 |           |           |
| Basket rotation angle  | °                 | ND          |           |           |
| Max basket capacity  | Kg                | 200         |           |           |
| Lenght in stowed position (with detached basket)               | m                 | 4,20        |           |           |
|  | m                 | 3,55        |           |           |
| Min width in stowed position                                   | m                 | 0,78        |           |           |
| Min height in stowed position                                  | m                 | 1,98        |           |           |
| Stabilization footprint  | m                 | 2,80 X 2,80 |           |           |
| Max gradeability   | deg. / %          | 16° (29%)   |           |           |
| Max side gradeability  | deg. / %          | 12° (21%)   |           |           |
| Max drive speed  | Km/h              | 3,50        | 1,70      | 3,50      |
| WEIGHTS  |                   | STD         | E         | ED        |
| Weight in working config.*                                     | Kg                | 1500*       | 1500*     | 1650*     |
| Ground pressure stowed machine (narrow tracking)               | KN/m²             | 3,06        |           |           |
| Ground pressure when on stabilizers                            | KN/m²             | 2,26        |           |           |
| Max point load   | KN                | 11,8        |           |           |
| POWER  |                   | STD         | E         | ED        |
| Engine GX270 Honda (Petrol)                                    | hp/rpm¹           | 8/3600      | --        | --        |
| Engine 1B30 HATZ (diesel)                                      | hp/rpm¹           | 7,2/3600    | --        | 5,4 /3600 |
| Electric motor 230 Vac   | hp/KW             | 3 / 2,2     | 3 / 2,2   | --        |
| Electric motor 24 Vdc  | hp/KW             | --          | 5,5 / 4,0 | 5,5 / 4,0 |
| Battery capacity 24Vdc Lead Acid                               | Ah                | --          | 150       | 150       |
|  | 24Vdc Lithium-Ion | Ah          | --        | 200       |
| Battery charger (Lead/acid batt) battery charger (Lithium/Ion) | Ah                | --          | 45        | 45        |
|  | Ah                | --          | 100/50    | 100/50    |

| STANDARD EQUIPMENT  | VERSION |    |    |
|---|---------|----|----|
|   | STD     | E  | ED |
| Double telescopic boom with flying jib                                      | •       |    |    |
| Combustion engine Honda petrol type   | •       | -- | •  |
| Smooth and multifunctions el.hydraulic controls                             | •       |    |    |
| Light allu basket and easy detachable                                       | •       |    |    |
| Air/water and 230Vac outlets into the basket                                | •       |    |    |
| Stabilization with electronic levelling sensor (max 1,5°)                   | •       |    |    |
| Double drive speed hydraulic system (slow/fast)                             | •       |    |    |
| Wired remote control panel for drive  | •       |    |    |
| All components are well protected against objects fall.                     | •       |    |    |
| Deep cycle batteries and electric-pump 24Vdc                                | --      | •  | •  |
| Battery charger with double charging select. (10/23 Ah)                     | --      | •  | •  |
| Single phase electric pump 230Vac/110Vac                                    | •       | •  | -- |
| Built-in fault messages diagnostic  | •       |    |    |
| EXTRAS - ON DEMAND  |         |    |    |
| Non marking rubber tracks particularly suitable for delicate floors.        | •       |    |    |
| Honda iGX390 instead of Honda GX270 engine                                  | •       | -- | •  |
| Hatz Diesel instead of Honda GX270 engine                                   | •       | -- | •  |
| Lithium-Ion battery pack for longer working cycle                           | --      | •  | •  |
| Oversized foot plates for soft ground.(diam.330mm)                          | •       |    |    |
| Oversized square 40x40cm nylon plates supplied with on-board housing frame. | •       |    |    |
| Single man basket   | •       |    |    |
| Electric power pack for emergency descent (12Vdc).                          | •       | •  | -- |
| Basket working light  | •       |    |    |
| Arctic lubricants for cold climate  | •       |    |    |
| Biodegradable hydraulic oil   | •       |    |    |
| APPROVALS   |         |    |    |
| EUROPE: EN280 - AUSTRALIA: AS1418 - CANADA: CS-B354                         |         |    |    |

\* Some weights may differ due to the chosen optionals

**STD**

- Combustion engine
- Electric motor-pump single phase 230/110Vac

**E - ELECTRIC**

- Electric motor-pump 230/110Vac
- Electric pump 24Vdc with deep cycle batteries

**ED - HYBRID**

- Combustion engine
- Electric pump 24Vdc with deep cycle batteries



**PLATFORM BASKET**



PLATFORM BASKET  
Via Montessori,1 - 42028 Poviglio - RE - Italy  
Tel. +39 0522 967666 - Fax +39 0522 967667  
info@platformbasket.com